



Powerlite Price List



01 February 2019

MODEL

DESCRIPTION

RETAIL

7 YEAR WARRANTY

PROJECTOR BRACKETS

MODEL	DESCRIPTION	RETAIL
XMINIBRK	Mini Bracket Set. To mount small and medium size projectors up to 5kgs on low or closed ceilings; supplied complete with 3 x adjustable arms, and a complete mounting screws kit	710,00
XCOMFP-S	NEW Common Footplate Set- With Double-Slot Quick Release Coupler for improved alignment. For mounting small and medium size projectors up to 5kgs through suspended ceiling or to the concrete slab above the ceiling. Supplied with 3 adjustable arms and 3 different size machine screws, bracket and cap and concrete mount bracket: Poles and Ceiling support boards supplied separately.	920,00
XHEAVYFP	Heavy Duty Footplate Set. With NEW Double-Slot Quick Release Coupler for improved alignment. For medium to large size projectors up to a maximum of 15kgs; supplied complete with 4 x heavy duty adjustable long arms, 3 different size machine screws, CONCRETE MOUNT bracket and small Ceiling cap: Poles and Ceiling support boards supplied separately.	1 170,00
XHEAVYPX	Extra heavy duty footplate Set for projectors up to 40 kgs, with new slotted universal cross holder that makes tilting so much easier - this bracket is supplied with 4 X 4mm thick mounting arms and different size machine screws to suit most projectors. Also included is a small ceiling cap to finish off where the pole comes through suspended ceilings. Poles are supplied as extras.	1 750,00
XPRJPLATFORM	Cradle Platform. Cradle bracket for right way up projection, universal size to fit small and medium size projectors. Optional extras include: Poles; Ceiling Support Boards; Concrete & Ceiling Mounts & Ceiling Caps. Maximum projector Size: 365mm W x 295mm D X 160mm H	1 350,00





Powerlite Price List



01 February 2019

MODEL

DESCRIPTION

RETAIL

7 YEAR WARRANTY

ADJUSTABLE INTERACTIVE BRACKET

XADJINTBRK	Adjustable bracket to mount short throw or interactive brackets from same wall as screen or whiteboard.	1 950,00
------------	---	----------

FIXED INTERACTIVE BRACKET

X06INTBRK	Fixed: 600mm bracket to mount short throw or interactive brackets from same wall as screen or whiteboard. Available in various lengths. Includes wall bracket, common footplate, mounting screws for projector and shield anchors to mount to wall.	1 400,00
-----------	--	----------

X12INTBRK	Fixed: 1,2m bracket to mount short throw or interactive brackets from same wall as screen or whiteboard. Available in various lengths. Includes wall bracket, common footplate, mounting screws for projector and shield anchors to mount to wall.	1 600,00
-----------	---	----------

X18INTBRK	Fixed: 1,8m bracket to mount short throw or interactive brackets from same wall as screen or whiteboard. Available in various lengths. Includes wall bracket, common footplate, mounting screws for projector and shield anchors to mount to wall.	1 800,00
-----------	---	----------

X24INTBRK	Fixed: 2,4m bracket to mount short throw or interactive brackets from same wall as screen or whiteboard. Available in various lengths. Includes wall bracket, common footplate, mounting screws for projector and shield anchors to mount to wall.	2 020,00
-----------	---	----------

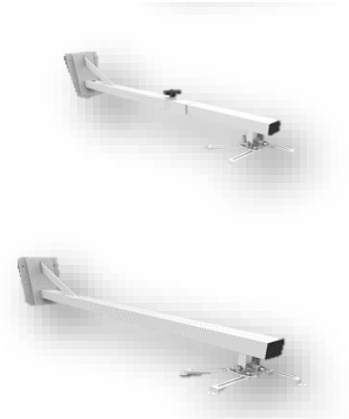
X30INTBRK	Fixed: 3m bracket to mount short throw or interactive brackets from same wall as screen or whiteboard. Available in various lengths. Includes wall bracket, common footplate, mounting screws for projector and shield anchors to mount to wall.	2 100,00
-----------	---	----------

PROJECTOR SECURITY ENCLOSURES

XPRJENCL150S	150 Small (Max Proj Size: 300mmW x 300mmD x 125mmH) Supplied with 3 x projector mounting arms and screws, small ceiling cap and secure barrel; Poles and Ceiling support boards supplied separately. Custom sizes and colours are also available on quantity orders - POA.	3 350,00
--------------	--	----------

XPRJENCL150M	150 Medium (Max Proj Size: 350mmW x 350mmD x 125mmH), Supplied with 3 x projector mounting arms and screws, small ceiling cap and secure barrel; Poles and Ceiling support boards supplied separately. Custom sizes and colours are also available on quantity orders - POA.	3 650,00
--------------	--	----------

XPRJENCL200L	200 Large (Max Proj Size: 400mmW x 400mmD x 150mmH), Supplied with 3 x projector mounting arms and screws, small ceiling cap and secure barrel; Poles and Ceiling support boards supplied separately. Custom sizes and colours are also available on quantity orders - POA.	4 400,00
--------------	---	----------





Powerlite Price List



01 February 2019

MODEL

DESCRIPTION

RETAIL

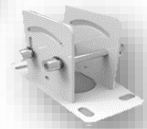
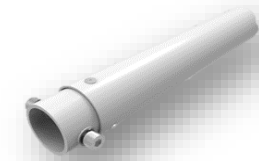
7 YEAR WARRANTY

ALUMINIUM POLES with Quick Release sleeves to secure Footplate Sets/Cradle brackets

MODEL	DESCRIPTION	RETAIL
X300POLE	Aluminium pole for Powerlite footplates, Length: 300mm	280,00
X600POLE	Aluminium pole for Powerlite footplates, Length: 600mm	380,00
X1200POLE	Aluminium pole for Powerlite footplates, Length: 1,2m	600,00
X1800POLE	Aluminium pole for Powerlite footplates, Length: 1,8m	840,00
X2400POLE	Aluminium pole for Powerlite footplates, Length: 2,4m	1 055,00
X3000POLE	Aluminium pole for Powerlite footplates, Length: 3m	1 300,00
X5000POLE	Aluminium pole for Powerlite footplates, Length: 5m	2 055,00

Bracket Accessories & Components

MODEL	DESCRIPTION	RETAIL
XSWIVELMNT	SWIVEL MOUNT BRACKET. To be used for mounting small and medium sized projectors up to 5kgs, this mount is ideal for angled beams and rafters or for mounting onto vertical plinth or bulkheads	140,00
XHEAVYMNT	HEAVY DUTY MOUNTING BRACKET. Suitable for heavier projectors mounted off concrete slabs, rafters and vertical places, but also ideal to hang LCD displays. Double M8 bolts through the bracket and pole provides additional safety as well as prevents swaying.	370,00
XCLNGMNT	CEILING MOUNT BRACKET. For use with PowerLite poles, provides height adjustment through "drop" ceilings. This bracket is typically mounted on top of a ceiling support board and locked into place with the screws provided.	170,00
XCONCMNT	CONCRETE MOUNT BRACKET. For mounting of Powerlite brackets and Security Cages direct to concrete slab; laser-cut opening allows routing of cables down through the pole to the display device. Conceal this bracket with our Large Ceiling Cap.	190,00
XSECCONMNT	SECURE CONCRETE MOUNT. To secure Powerlite poles to concrete ceiling with a lockable steel barrel. Designed to prevent unauthorised removal of security enclosures and projector/LCD brackets. Locks not provided	470,00
XCLNGBOARD	CEILING SUPPORT BOARD. 16mm MDF - Size: 595 x 200mm - suitable for providing support for small to medium size projectors and screens in suspended ceilings once anchored to the ceiling slab or rafters.	95,00
XCLNGCAP-S	SMALL CEILING CAP. A moulded ABS plastic product, designed to provide aesthetic finish to pole entry point in suspended ceilings (supplied with Common Footplate sets)	120,00
XCLNGCAP-L	LARGE CEILING CAP. A larger version of the Small Ceiling Cap, but used in conjunction with the Concrete Mount. Although not a security product, it does conceal the fixing bolts in the ceiling.	250,00





Powerlite Price List



01 February 2019

MODEL

DESCRIPTION

RETAIL

7 YEAR WARRANTY

ACCESSORY SHELVES

XACCSHELFB	Designed to support small decoders, media players, WePresents, Webcams etc. Can be mounted directly to wall or mounted onto Powerlite pole using the Pole Clamp below. Shelf size 122mm D x 200mm W. BLACK	280,00
XACCSHELFW	Designed to support small decoders, media players, WePresents, Webcams etc. Can be mounted directly to wall or mounted onto Powerlite pole using the Pole Clamp below. Shelf size 122mm D x 200mm W. WHITE	280,00
XACCSHELFC	ACCESSORY SHELF CUSTOM. As above but with custom sized additional shelf plate, up to 200mm D x 400mm W. Sprayed with Duco enamel (white or black).	330,00

POLE CLAMP BLACK OR WHITE

XCLMPB	Used to attach Accessory Shelf to Powerlite pole, supplied with 2 x M6x75mm galvanised hex head machine screws & washers. BLACK	120,00
XCLMPW	Used to attach Accessory Shelf to Powerlite pole, supplied with 2 x M6x75mm galvanised hex head machine screws & washers. WHITE	120,00

TV/MONITOR BRACKET

XLCDBRK900NT	LCD BRACKET 900 NON-TILT. Now supplied with longer mounting arms, this locally manufactured non-tiltable bracket is fitted with display-levelling screws and lock-bar and is suitable for LCD's, LED's & Plasma screens: 40" to 55". Supplied with Wall anchors and mounting screws.	1 500,00
--------------	--	----------

LCD/LED/PLASMA SECURITY ENCLOSURES

XLCDENCL1200	MODEL 1200 LCD SECURITY ENCLOSURE. Custom made to order - approx 14 working days All Sizes up to 1200mmW x 800mmH x 150mmD. Solid 2mm duco enamel spray-painted enclosures. Supplied with Backing plate and non-tilting LCD mount - Lock included	6 100,00
XLCDENCL1200P	MODEL 1200 LCD SECURITY ENCLOSURE. Custom made to order - approx 14 working days All Sizes up to 1200mmW x 800mmH x 150mmD. 4mm clear perspex front cover to protect the display surface	10 050,00
X1200ENCLBOX	Transport Box for 1200 Series LCD Enclosure	660,00
XLCDENCL1500	MODEL 1500 LCD SECURITY ENCLOSURE. Custom made to order - approx 14 working days All Sizes up to 1500mmW x 900mmH x 150mmD	7 600,00
XLCDENCL1500P	MODEL 1500 LCD SECURITY ENCLOSURE. Custom made to order - approx 14 working days All Sizes up to 1500mmW x 900mmH x 150mmD. 4mm clear perspex front cover.	12 800,00
X1500ENCLBOX	Transport Box for 1500 Series LCD Enclosure	800,00





Powerlite Price List



01 February 2019

MODEL

DESCRIPTION

RETAIL

7 YEAR WARRANTY

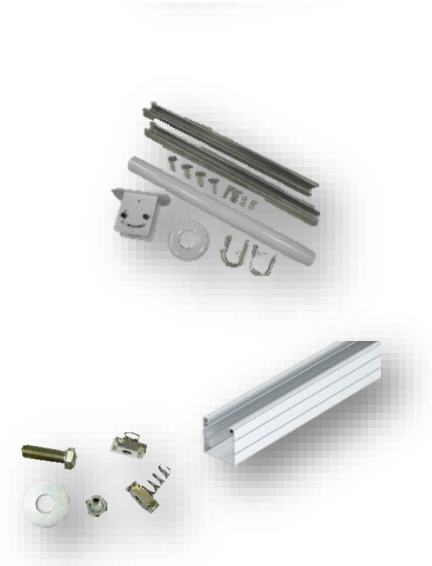
MOUNTING ACCESSORIES

XLCDCLNGMNTS	CEILING MOUNT POLE KIT. To mount any LCD under a suspended ceiling, this kit comprises: 1 x 1200mm White Epoxy Coated 50mm Round Mild Steel pole, small ceiling cap, U-Bolts to secure brackets to pole, 1 x Heavy Duty Mount (may be used against concrete slab or onto supporting rafters) 2 x 1200mm lengths O-Line channel with spring nuts, bolts etc. Concrete anchors not included. Requires XLCDBRK900NT	1 555,00
XLCDCLNGMNTD	CEILING MOUNT POLE KIT. To mount any LCD under a suspended ceiling, this dual pole kit comprises: 2 x 1200mm poles, 2 x small ceiling caps, 4 U-Bolts, 2x Heavy Duty Mounts (may be used against concrete slab or onto supporting rafters), 2 x 1200mm lengths O-Line channel with 16 spring nuts, bolts etc. Concrete anchors not included. Requires XLCDBRK900NT	2 450,00
XOLINE2000PG	STEEL SUPPORT CHANNEL - LIGHTWEIGHT. For short spans and lightweight equipment, pre-galvanised 1.6mm thick channel, price per meter (Available in Lengths up to 5m)	170,00
XOLINE 1000HDG	STEEL SUPPORT CHANNEL - HEAVY WEIGHT. For longer spans and heavier equipment, hot-dip galvanised 2.5mm thick channel, price per meter (Available in Lengths up to 6m)	360,00
XOLINESPRNUT	SPRING NUT SET. Set includes 4 of each: M8 Spring Nuts; M8*40 Galvanised Hex Head Machine Screws; M8 Galvanised Flat Washers	100,00

CONNECTIVITY

ADAPTER PLATES

XUSADPTSGL	US Adapter plate Single	220,00
XUSADPTDBL	US Adapter plate Double	290,00
XEUADPTSGL	EU Adapter plate Single	230,00
XEUADPTSBUS	EU Adapter plate Single suitable specifically for S-Bus Control Panels	230,00





Powerlite Price List



01 February 2019

MODEL

DESCRIPTION

RETAIL

7 YEAR WARRANTY

POWER DOCK REDUCING PLATES

ALF-TSM1/4-REDUPLATE	Where PowerDocks are replaced with Alfatron "Pop-Up" Units or other "Hidden Connection Panels", these reducing plates cover the larger hole and provide a perfect fit for the smaller sized units. Supplied in 1,6mm thick mild steel, black finish as standard. Outside Plate size 380mm X 169mm. External dimensions: 380mm x 169mm Internal CUT OUT Dimensions: 145mm x 182mm	250,00
ALF-TSC6-REDUPLATE	Where PowerDocks are replaced with Alfatron "Pop-Up" Units or other "Hidden Connection Panels", these reducing plates cover the larger hole and provide a perfect fit for the smaller sized units. Supplied in 1,6mm thick mild steel, black finish as standard. Outside Plate size 380mm X 169mm. External dimensions: 380mm x 169mm Internal CUT OUT Dimensions: 121mm x 167mm	250,00

CABLE HOUSING

XCABLEHSNG	Mounted under-table to provide protection and a receptacle for cables from Table Top Connections, with an opening for cable access at the bottom. Supplied in black powder-coated finish -mounting screws included.	800,00
------------	---	---------------

FLOOR BOX EXTENSION

XFLOORBOXEXT	This unit fits over recess floor boxes and surface mounted cottage pedestals and allows for power, networking, video and other cables to be routed up to the underside of boardroom tables safely and neatly.	1 500,00
--------------	---	-----------------





Powerlite Price List



01 February 2019

MODEL

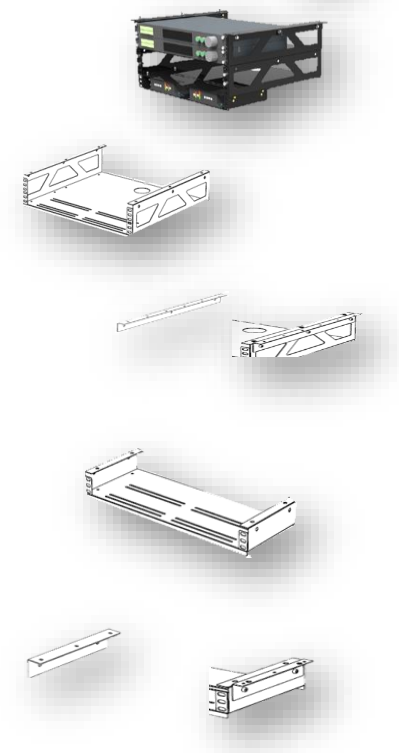
DESCRIPTION

RETAIL

7 YEAR WARRANTY

UNDER TABLE EQUIPMENT RACK

XUTEQRACK	Based on 19" Rack specifications, this product is designed to provide mounting solutions for AV amplifiers, splitters, DVD players etc to the underside of boardroom tables, workstations as well as to the underside of cupboards and cabinets. Supplied in a black epoxy coated finish. When fitted with a pair of brackets (XUTEQRACKBRKT) below, can be mounted directly to the underside of boardroom tables, workstations etc. These units are stackable under each other - all fasteners are included.	1 100,00
XUTEQRACK BRKT	Based on 19" Rack specifications, this product is designed to provide mounting solutions for AV amplifiers, splitters, DVD players etc to the underside of boardroom tables, workstations as well as to the underside of cupboards and cabinets. Supplied in a black epoxy coated finish. Supplied as an accessory - to fit the above 2U-19" Rack to the underside of tables, workstations, cupboards etc. Price per pair	200,00
XUTPTNSHLF	Based on 19" Rack specifications, this product is designed to provide mounting solutions for AV amplifiers, splitters, DVD players etc to the underside of boardroom tables, workstations as well as to the underside of cupboards and cabinets. Supplied in a black epoxy coated finish. 1U - Alfatron Equipment shelf - fits in the 2U shelf to house Alfatron products or, when used with a pair of brackets (XUTAlfatronBRKT) below, can be mounted directly to the underside of tables, workstations cupboards etc.	530,00
XUTPTNBRKT	Based on 19" Rack specifications, this product is designed to provide mounting solutions for AV amplifiers, splitters, DVD players etc to the underside of boardroom tables, workstations as well as to the underside of cupboards and cabinets. Supplied in a black epoxy coated finish. Left & Right Mounting brackets to affix shelf to the underside of boardroom tables, cupboards, workstations etc. Price per pair.	160,00





Powerlite Price List



01 February 2019

MODEL

DESCRIPTION

RETAIL

7 YEAR WARRANTY

UNDER TABLE CABLE BOX

XUTCABBOX SML	Made from 16mm wood grain Melawood with a "blind" door (no handle to draw attention to the fact that it has a hinged panel on one) for easy access to plug point and cables. Supplied with 2 x L-shape brackets to secure the box to the underside of the table. - Standard Colour choices These units fits over floor mounted plug-in points and allows for power, networking, video and other cables to be routed up to the underside of boardroom tables safely and neatly. SMALL - To conceal cables from under tables to the floor Dimensions: 200mm X 160mm X 620mm High	750,00
XUTCABBOX SGL	Made from 16mm wood grain Melawood with a "blind" door (no handle to draw attention to the fact that it has a hinged panel on one) for easy access to plug point and cables. Supplied with 2 x L-shape brackets to secure the box to the underside of the table. - Standard Colour choices These units fits over floor mounted plug-in points and allows for power, networking, video and other cables to be routed up to the underside of boardroom tables safely and neatly. SINGLE - To conceal a single back-to-back Cottage Pedestal Dimensions: 232mm X 332mm X 620mm High	950,00
XUTCABBOX DBL	Made from 16mm wood grain Melawood with a "blind" door (no handle to draw attention to the fact that it has a hinged panel on one) for easy access to plug point and cables. Supplied with 2 x L-shape brackets to secure the box to the underside of the table. - Standard Colour choices These units fits over floor mounted plug-in points and allows for power, networking, video and other cables to be routed up to the underside of boardroom tables safely and neatly. DOUBLE - To conceal two back-to-back Cottage Pedestals Dimensions: 332mm X 382mm X 620mm High	1 100,00





Powerlite Price List



01 February 2019

MODEL

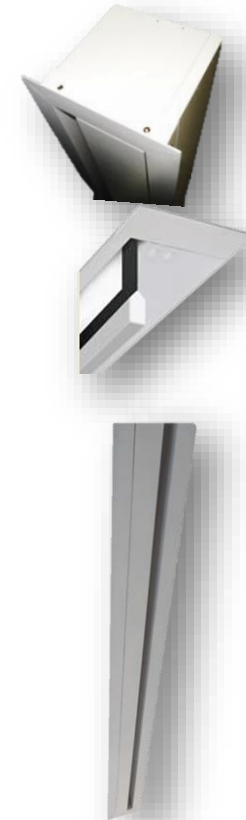
DESCRIPTION

RETAIL

7 YEAR WARRANTY

SCREEN RECESS BOX, Custom sizes available on request

XSCBXA25	Manufactured from 16mm White Melawood with white epoxy coated aluminium trim all round, to blend in with suspended ceilings. Each box is supplied with a pair of easy-to-install levelling brackets and is securely packaged to protect the aluminium trim from damage. All brands of screens can be retro-fitted using our unique design screen hanging brackets which are supplied separately. A25 SCREEN BOX Internal dimensions: 138mmH x 128mmD x 2500mmL External Dimensions: 170mmH x 160mmD x 2532mmL Ceiling Opening: 170mmD x 2540mmL	2 500,00
XSCBXA27	Manufactured from 16mm White Melawood with white epoxy coated aluminium trim all round, to blend in with suspended ceilings. Each box is supplied with a pair of easy-to-install levelling brackets and is securely packaged to protect the aluminium trim from damage. All brands of screens can be retro-fitted using our unique design screen hanging brackets which are supplied separately. A27 SCREEN BOX Internal dimensions: 138mmH x 128mmD x 2740mmL External Dimensions: 170mmH x 160mmD x 2772mmL Ceiling Opening: 170mmD x 2780mmL	2 670,00
XSCBXA35	Manufactured from 16mm White Melawood with white epoxy coated aluminium trim all round, to blend in with suspended ceilings. Each box is supplied with a pair of easy-to-install levelling brackets and is securely packaged to protect the aluminium trim from damage. All brands of screens can be retro-fitted using our unique design screen hanging brackets which are supplied separately. A35 SCREEN BOX Internal dimensions: 138mmH x 128mmD x 3560mmL External Dimensions: 170mmH x 160mmD x 3592mmL Ceiling Opening: 170mmD x 3600mmL	3 310,00
XSCBxB25	Manufactured from 16mm White Melawood with white epoxy coated aluminium trim all round, to blend in with suspended ceilings. Each box is supplied with a pair of easy-to-install levelling brackets and is securely packaged to protect the aluminium trim from damage. Available in the following standard sizes, but also available in custom sizes - POA. All brands of screens can be retro-fitted using our unique design screen hanging brackets which are supplied separately. B25 SCREEN BOX Internal dimensions: 188mmH x 158mmD x 2560mmL External Dimensions: 220mmH x 190mmD x 2592mmL Ceiling Opening: 200mmD x 2600mmL	2 850,00
XSCBxB31	Manufactured from 16mm White Melawood with white epoxy coated aluminium trim all round, to blend in with suspended ceilings. Each box is supplied with a pair of easy-to-install levelling brackets and is securely packaged to protect the aluminium trim from damage. All brands of screens can be retro-fitted using our unique design screen hanging brackets which are supplied separately. B31 SCREEN BOX Internal dimensions: 188mmH x 158mmD x 3100mmL External Dimensions: 220mmH x 190mmD x 3132mmL Ceiling Opening: 200mmD x 3140mmL	3 300,00





Powerlite Price List



01 February 2019

MODEL

DESCRIPTION

RETAIL

7 YEAR WARRANTY

XSCXB38	Manufactured from 16mm White Melawood with white epoxy coated aluminium trim all round, to blend in with suspended ceilings. Each box is supplied with a pair of easy-to-install levelling brackets and is securely packaged to protect the aluminium trim from damage. All brands of screens can be retro-fitted using our unique design screen hanging brackets which are supplied separately. B38 SCREEN BOX Internal dimensions: 188mmH x 158mmD x 3800mmL External Dimensions: 220mmH x 190mmD x 3832mmL Ceiling Opening: 200mmD x 3840mmL	4 350,00
XSCXB45	Manufactured from 16mm White Melawood with white epoxy coated aluminium trim all round, to blend in with suspended ceilings. Each box is supplied with a pair of easy-to-install levelling brackets and is securely packaged to protect the aluminium trim from damage. All brands of screens can be retro-fitted using our unique design screen hanging brackets which are supplied separately. B45 SCREEN BOX Internal dimensions: 188mmH x 158mmD x 4500mmL External Dimensions: 220mmH x 190mmD x 4532mmL Ceiling Opening: 200mmD x 4540mmL	5 000,00





Powerlite Price List



01 February 2019

MODEL

DESCRIPTION

RETAIL

7 YEAR WARRANTY

Screen Box Mounting Kits

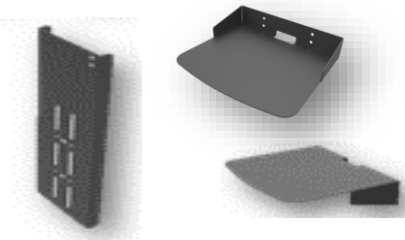
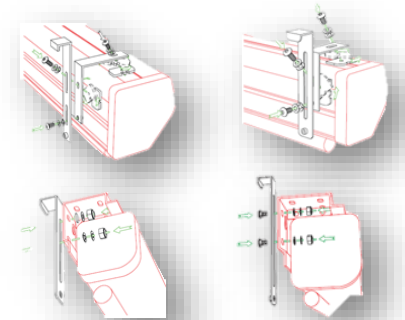
XSCBXKIT1	FOR USE WITH: B - Series Screen Recess Box • Cyber Motorised Screens 150" and upwards • ALL Tab Tension Screens	690,00
XSCBXKIT2	FOR USE WITH: A - Series Screen Recess Box • All Cyber Manual Screens • Cyber Motorised Screens up to 120"	550,00
XSCBXKIT3	FOR USE WITH: A - Series Screen Recess Box • CNV motorised screens with A-series box	270,00
XSCBXKIT4	FOR USE WITH: B - Series Screen Recess Box • CNV motorised screens with B-series box	270,00

Screen Mounting Brackets and Accessories

XGVSCMOUNTX	GRANDVIEW EXTENSION MOUNTING BRACKETS. Useful when provision must be made against a wall for dry-wipe whiteboards, railing systems and /or murals, these brackets provide a 100mm space to hang projection screens.	280,00
XKEYSTONE	KEYSTONE CORRECTION BRACKETS. Although these brackets were primarily designed for keystone correctioning for Overhead Projection, they can also be used for supporting screens in ceiling voids or where training/teaching products such as whiteboards etc require the screen to be mounted further away from the wall.	430,00

Video Conference Furniture

XVCSHLFMPL	VC PLATFORM. An accessory that may be added to any of our MobiStands - either above or below the display (attaches to the LCD Bracket and has limited height adjustable movement) Available in 3 different shelf sizes. <u>VC Camera shelf mounting plate</u>	590,00
XVCSHLFSML	Shelf Size: 180mmW x 200mmD	295,00
XVCSHLFMED	Shelf Size: 290mmW x 250mmD	420,00
XVCSHLFLRG	Shelf Size: 400mmW x 300mmD	570,00
XVCWALLSHLF	WALL MOUNT VC CAMERA SHELF. Supplied with a powder coated mild steel wall-mount backing plate, this VC shelf can be made in a variety of decor-matching Mellawood finishes. Designed to route cables out of sight <u>behind the equipment. Dimensions: 400mm (W) x 300mm (H) x 300mm (D)</u>	670,00
XVCMOBICAB	VC MOBILE CABINET - SINGLE DISLAY. Custom designed for Video Conference LCD/LED display and camera, with Mellawood top and base (PVC Impact Resistant Edging all round) This unit includes a Cherry Mellawood cabinet with one height adjustable shelf and two solid non-lockable doors. Fitted with 100mm deluxe castors - two with brakes complete with LCD900NT Non-Tilt LCD Bracket and Video Camera shelf.	18 000,00





Powerlite Price List



01 February 2019

MODEL

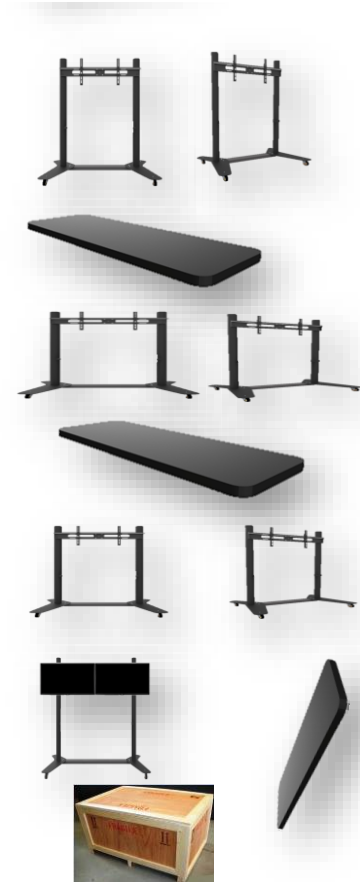
DESCRIPTION

RETAIL

7 YEAR WARRANTY

LCD Mobility for Exhibitions

XMOBIEXHB 900	LCD MOBILE STAND 900. Suitable for a Single display from 42" - 46" - Supplied with one pair of non-tilt arms.	7 750,00
XMOBIEXHB 900S	SHELF FOR STAND 900. Up to 3 of these 32mm thick black Melawood shelves with impact resistant PVC edging all round, may be added to these stands - to support accessories such as DVD Players, Laptops and Amplifiers etc	730,00
XMOBIEXHB 1290	LCD MOBILE STAND 1290. Suitable for a Single display up to 55" - Supplied with one pair of non-tilt arms.	8 550,00
XMOBIEXHB 1200S	SHELF FOR STAND 1290. 32mm Melawood shelves edged with impact resistant PVC all round, for accessories such as DVD Players, Laptops and Amplifiers etc - add up to 3 shelves per stand.	970,00
XMOBIEXHB 1590	LCD/LED DISPLAY MOBILE STAND 1590. Suitable for a Single display up to 70" - Supplied with one pair of non-tilt arms.	8 950,00
XMOBIEXHB 1599	DUAL DISPLAY STAND 1599. Suitable for Dual 42" displays - Supplied with two pairs of non-tilt arms.	8 850,00
XMOBIEXHB 1500S	SHELF FOR STAND 1590 AND 1599. Suitable for Dual 46" displays - Supplied with two pairs of non-tilt arms.	1 150,00
XMOBIEXHB 1899	DUAL DISPLAY STAND 1899. Suitable for Dual 46" displays - Supplied with two pairs of non-tilt arms.	10 200,00
XMOBIEXHB 1800S	SHELF FOR STAND 1899. 32mm Melawood shelves edged with impact resistant PVC all round, for accessories such as DVD Players, Laptops and Amplifiers etc - add up to 3 shelves per stand.	1 310,00
XMOBIEXHB 2099	DUAL DISPLAY STAND 2099. Suitable for Dual 55" displays - Supplied with two pairs of non-tilt arms.	10 700,00
XMOBIEXHB 2000S	SHELF FOR STAND 2099. 32mm Melawood shelves edged with impact resistant PVC all round, for accessories such as DVD Players, Laptops and Amplifiers etc - add up to 3 shelves per stand.	1 450,00
XMOBITRANS	TRANSPORT FLAT-PACK BOX FOR MOBISTANDS. Each Mobistand is flat-packed into two separate boxes (1) 225mm X 180mm X 1.940m L ± 35kgs and (2) 285mm X 350mm X 840mm L ± 24kgs according to the model and size.	980,00





Powerlite Price List



01 February 2019

MODEL

DESCRIPTION

RETAIL

7 YEAR WARRANTY

LCD Mobility for Conferencing

MODEL	DESCRIPTION	RETAIL
XMOBICONFFXD	FIXED HEIGHT MOBILE CONFERENCE STAND FOR LCD/PLASMA & LED DISPLAYS. Fixed height 1200mm to centre of the screen and suitable for displays from 42" - 55" - Displays can be tilted upwards to 15 degrees	6 000,00
XLCDMOBICAB	LCD/LED DISPLAY MOBILE CABINET. Fitted with 100mm Deluxe castors for ease of mobility, this cabinet is supplied in standard Melawood finishes, complete with 900mm Non-Tilt LCD bracket. Fitted with one height adjustable mid shelf for Video Conference equipment, DVD players etc. Variations with P.O.A include Glass doors, Laquer sprayed Woodgrain veneers, Dual LCD bracket etc.Suitable for displays from 42" to 55" LCD, LED or Plasma. Larger Sizes can be custom Manufactured to order.	15 000,00
XLCDMOBICAB2	LCD/LED DISPLAY MOBILE CABINET - DUAL DISPLAY. Fitted with 100mm Deluxe castors for ease of mobility, this cabinet is supplied in standard Melawood finishes, complete with 900mm Non-Tilt LCD bracket. Fitted with one height adjustable mid shelf for Video Conference equipment, DVD players etc. Variations with P.O.A include Glass doors, Laquer sprayed Woodgrain veneers, Dual LCD bracket etc.Suitable for displays from 42" to 55" LCD, LED or Plasma. Larger Sizes can be custom Manufactured to order, slighter wider to accommodate dual displays	32 000,00
XMP0003	MULTIMEDIA PROJECTOR TROLLEY Fixed Height - No Shelf. Ideal for conference venues, this trolley fixed at 1.0m high has a tiltable top fitted with non-slip rubber. Supplied in a black powder coated finish and four 75mm swivel castors, two of which have brakes.	3 580,00
XMP1003	MULTIMEDIA PROJECTOR TROLLEY adjustable from 1 to 1.4M - No Shelf. Ideal for conference venues, this trolley fixed at 1.0m high has a tiltable top fitted with non-slip rubber. Supplied in a black powder coated finish and four 75mm swivel castors, two of which have brakes.	4 200,00
XMP2003	MULTIMEDIA PROJECTOR TROLLEY adjustable from 1 to 1.4M - height adjustable shelf. Ideal for conference venues, this trolley fixed at 1.0m high has a tiltable top fitted with non-slip rubber. Supplied in a black powder coated finish and four 75mm swivel castors, two of which have brakes.	5 290,00





Powerlite Price List



01 February 2019

MODEL

DESCRIPTION

RETAIL

7 YEAR WARRANTY

Lecterns

XLT1500	LT1500 FREE STANDING LECTERN. This lightweight lectern has a slanted tabloid top & one mid shelf for speaker-support accessories, notes, etc. Fitted with height levelling feet. Standard colours Memphis Cherry and black metal. <u>other colours available POA.</u>	2 800,00
XLT1502	LT1502 FREE STANDING LECTERN. This lightweight lectern has a slanted tabloid top & one mid shelf for speaker-support accessories, notes, etc. Fitted with 50mm deluxe castors 2 of which can be braked. Standard colours <u>Memphis Cherry & black metal. other colours POA.</u>	3 420,00
XLT3000	LT3000 FREE STANDING LECTERN. Made from Cherry, Natural Oak or Beech Mellawood, this podium is ideal for school halls, lecture rooms and places where basic functionality is required. Dimensions: 600mmW; 550mmD; <u>1000mmH (front) 1150mmH(back)</u>	2 780,00
XLT3503	LT3503 FREE STANDING LECTERN. Made from Cherry, Natural Oak or Beech Mellawood, this podium is ideal for school halls, lecture rooms and places where basic functionality is required. Fitted with 4 castors 2 of which can be braked.	4 000,00
XLT3800	LT3800 MOBILE INTERACTIVE LECTERN. Made from Cherry, Natural Oak or Beech Mellawood, this lectern is ideal for use in interactive learning environments or for company presentaton purposes. <u>Monitor cut-outs on request. dimensions to be provided.</u>	4 555,00
XLT4000	LT4000 CLASSIC - FREE STANDING LECTERN. A full cabinet type lectern made from Cherry, Natural Oak or Beech Mellawood (other colours & woodgrain finishes available - P.O.A.) The tabloid top of this unit is hinged to allow access for installation of control equipment, power points etc. Fitted with 75mm castors 2 of which can be braked.	4 970,00
XLT4003	LT4003 CLASSIC - FREE STANDING LECTERN. A full cabinet type lectern made from Cherry, Natural Oak or Beech Mellawood (other colours & woodgrain finishes available - P.O.A.) The tabloid top of this unit is hinged <u>to allow access for installation of control equipment, power points etc.</u>	5 850,00
XLT5000	LT5000 EXECUTIVE - FREE STANDING LECTERN. The "Executive" free standing cabinet lectern with 2 doors and an internal shelf. The inclined lid opens for storage of notes. The raised front conceals the speaker's notes / laptop and provides a mounting surface for a microphone. Supplied as standard in Cherry Melawood, (other <u>finishes & wood grains available</u>	5 310,00
XLT5003	LT5003 EXECUTIVE - FREE STANDING LECTERN. The "Executive" free standing cabinet lectern with 2 doors and an internal shelf. The inclined lid opens for storage of notes. The raised front conceals the speaker's notes / laptop and provides a mounting surface for a microphone. Supplied as standard in Cherry Melawood, (other finishes & wood grains available), fitted with 75mm Deluxe castors, two of which are lockable	6 230,00





Powerlite Price List



01 February 2019

MODEL

DESCRIPTION

RETAIL

7 YEAR WARRANTY

Lectern Accessories

XLTCAMLOCK	A standard cam lock supplied and fitted together with inside latches for the left-hand door. Suitable for 3800, 4000, 5000 or Multimedia range of Lecterns	640,00
XLTRACKMNT	LECTERN RACK MOUNT. If rack mount equipment is to be installed in any of our 3800, 4000, 5000 or Multimedia range of Lecterns, we will supply and fit 2 X 30 slot rack supports correctly spaced for 19" rack-mount equipment together with 8 cage nuts.	750,00

Security Lecterns for Education

XMSLT2017-1	MULTIMEDIA SECURITY LECTERN. Designed for full integration with touch screen monitors, plug-in points and all supporting equipment, these lecterns have a full steel enclosure clad with melawood in a colour or woodgrain to suit your environment. All equipment is concealed behind a 3mm thick metal door fitted with a very sturdy 2-pin deadbolt and star key. Supplied with a pull-out tray mounted on 600mm full extension runners to allow maintenance teams to easily access AV equipment from the back. These lecterns can be customised to suit your specific needs	18 500,00
XLTMICBRKT	Bracket for Beyerdynamic MPR series Revolutio microphones.	380,00

XSW0800	800mm Long Side Wing - Left or Right	3 670,00
XSW1200	1200mm Long Side Wing - Left or Right	4 620,00
XSW1500	1500mm Long Side Wing - Left or Right	5 450,00
XSW1800	1800mm Long Side Wing - Left or Right	6 230,00
XSW2400	2400mm Long Side Wing with doors- Left or Right	9 640,00

